

On-Demand Tabletop Case Maker

FASTBIND CASEMATIC H46 Pro™



Versatile applications:

- Hard covers for books
- Hard covers for photobooks
- CD/DVD/Blu-ray cases
- Ring binders
- Hard covers for punch & bind



CASEMATIC H46 Pro™ Large Format Case Maker

Max finished case size, opened 1040 x 490 mm / 41" x 19.3"

Includes adjustable edge folding unit

Compatible with Fastbind FotoMount F46e™ and Fastbind Perfect Binders

Professional on-demand hard covers and cases

With the advanced Fastbind Casematic H46 Pro™, you produce professional tailor-made cases in the format of your choice, up to 41" x 19.3" (when opened) in a matter of minutes.

You imagine and design the cover of your dream, you print it on your digital printer (laser or inkjet). Then, you just follow the easy steps on your Casematic H46 Pro to produce the actual case or cover.

The applications are illimited: books and photo book covers, CD, DVD and Blue-ray cases, ring binders and many more. It's the ideal solution for photographic studios, photo labs and professional photographers as well as digital printers, copy shops and on-demand publishers. Fully featured and compact, this tabletop unit fits naturally in any environment.

Featured for the best result quality

Fastbind Casematic H46 Pro™ is very easy to use. You position your printed cover on the illuminated table; the suction assistance, registration marks and centre line ensure an accurate placement.

Once the boards are attached to the cover, you easily fold the edges on the integrated edge-wrapper. This folding unit is adjustable for different board thicknesses.

Optional accessories

For easier operations, you can add extra tools to your Casematic H46 Pro. Fastbind Corner Cutter Ha10™ evenly cuts the corners of your cover. The registration of opaque materials and the production of small or medium series are easier and faster with the Side/Back Guide. Fastbind also provides all the necessary supplies for your cover production, including printable tacking sheets, grey boards and end-papers.

Specifications

	Europe	U.S.A.
Max print size (W x L)	1080 x 530 mm	42.5" x 20.8"
Max finished case size, opened (W x L)	1040 x 490 mm	41" x 19.3"
Max. folding length	1040 mm	41"
Thickness of the cardboard	Up to 5 mm	Up to 0.2"
Voltage	220-240 V	110-120 V
Frequency	50-60 Hz	50-60 A
Max current	1 A	1 A
Machine dimensions (W x L x H)	1130 x 684 x 164 mm	44.5" x 27" x 6.5"
Net weight	45 kg	99 lbs

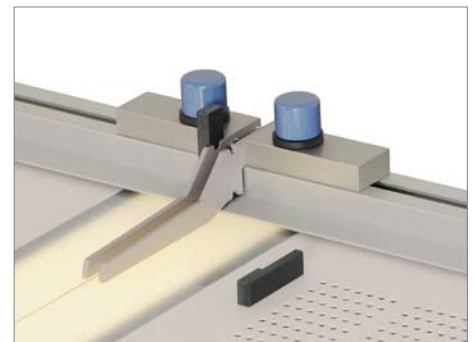
Fastbind Casematic™ system: patented.

Adjustable edge folding unit and 3 mm spine guides with 8 mm spacers are included.

Product information as of April 2009 and is subject to change without notice.



Registration marks for thicker and thinner materials offer you more versatility in applications.



The quick-change spacers make it easier than ever to adjust the gap between the cover boards and the spine stick.



The integrated edge folding unit is adjustable for different cover board thicknesses.

Compatible with Fastbind Binding Machines™ and PhotoBook Makers™



Fastbind BooXTer Duo™ can be combined with Fastbind Casematic H46 Pro™ for the best printed hard cover books, photo albums and company presentations.



With Fastbind Elite XT™ perfect binding machine anyone can bind professional quality books and reports up to size SRA3 or A4 landscape.



With Fastbind FotoMount F46e™ large format electrical photobook maker you can create a beautiful and professional photobook yourself. The finished book opens astonishing 180 degrees.